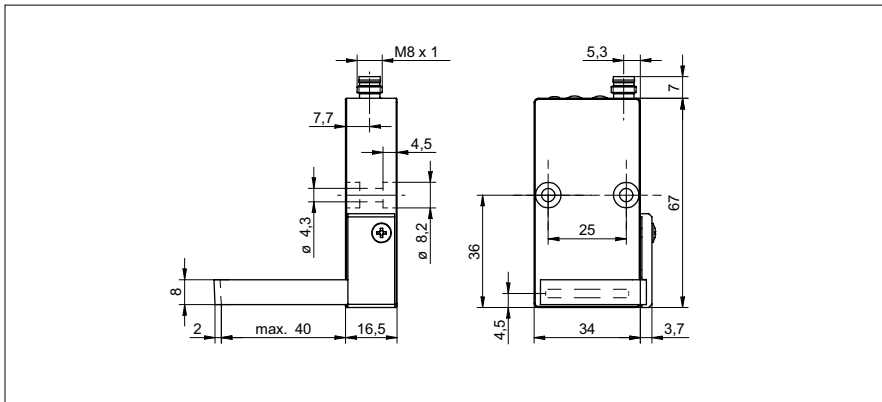


**Edge sensors**

**ZADM 034I240.0001**

**dimension drawing**



**general data**

|                                |   |
|--------------------------------|---|
| type                           | measuring mode: edges, width                          |
| measuring field size           | 24 mm   |
| measuring distance (to object) | 0 ... 40 mm   |
| measuring frequency            | 1800 Hz   |
| resolution                     | < 0,05 mm   |
| smallest object recognizable   | 1 mm  |
| linearity error                | ± 0,4 mm (S = 0...40 mm)<br>± 0,2 mm (S = 20...40 mm) |
| repeat accuracy                | < 0,05 mm   |
| power on indication            | LED green   |
| output indicator               | LED yellow  |
| light source                   | pulsed infrared diode                                 |
| wave length                    | 880 nm  |

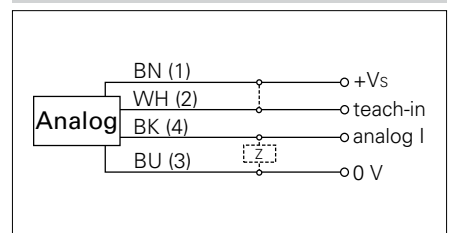
**photo**



**electrical data**

|                                    |                |
|------------------------------------|----------------|
| response time                      | < 0,5 ms       |
| voltage supply range +Vs           | 12 ... 28 VDC  |
| current consumption max. (no load) | 120 mA         |
| output circuit                     | analog         |
| output signal                      | 4 ... 20 mA    |
| reverse polarity protection        | yes, Vs to GND |
| short circuit protection           | yes            |

**connection diagram**



**mechanical data**

|                  |                        |
|------------------|------------------------|
| width / diameter | 34 mm                  |
| type             | rectangular, side view |
| housing material | aluminum               |
| front (optics)   | glass                  |
| connection types | connector M8 4 pin     |

**ambient conditions**

|                       |              |
|-----------------------|--------------|
| operating temperature | 0 ... +55 °C |
| protection class      | IP 67        |

